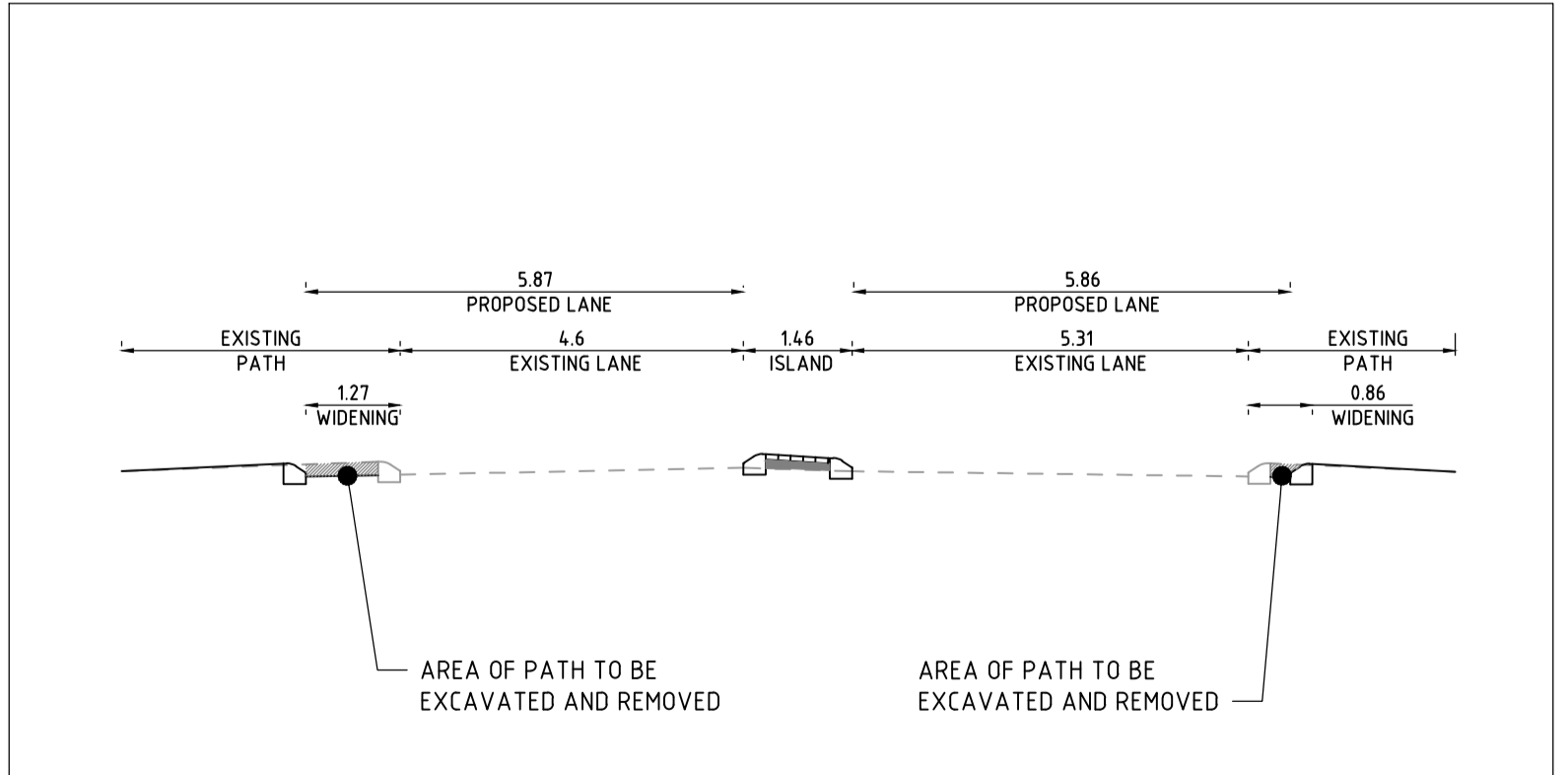
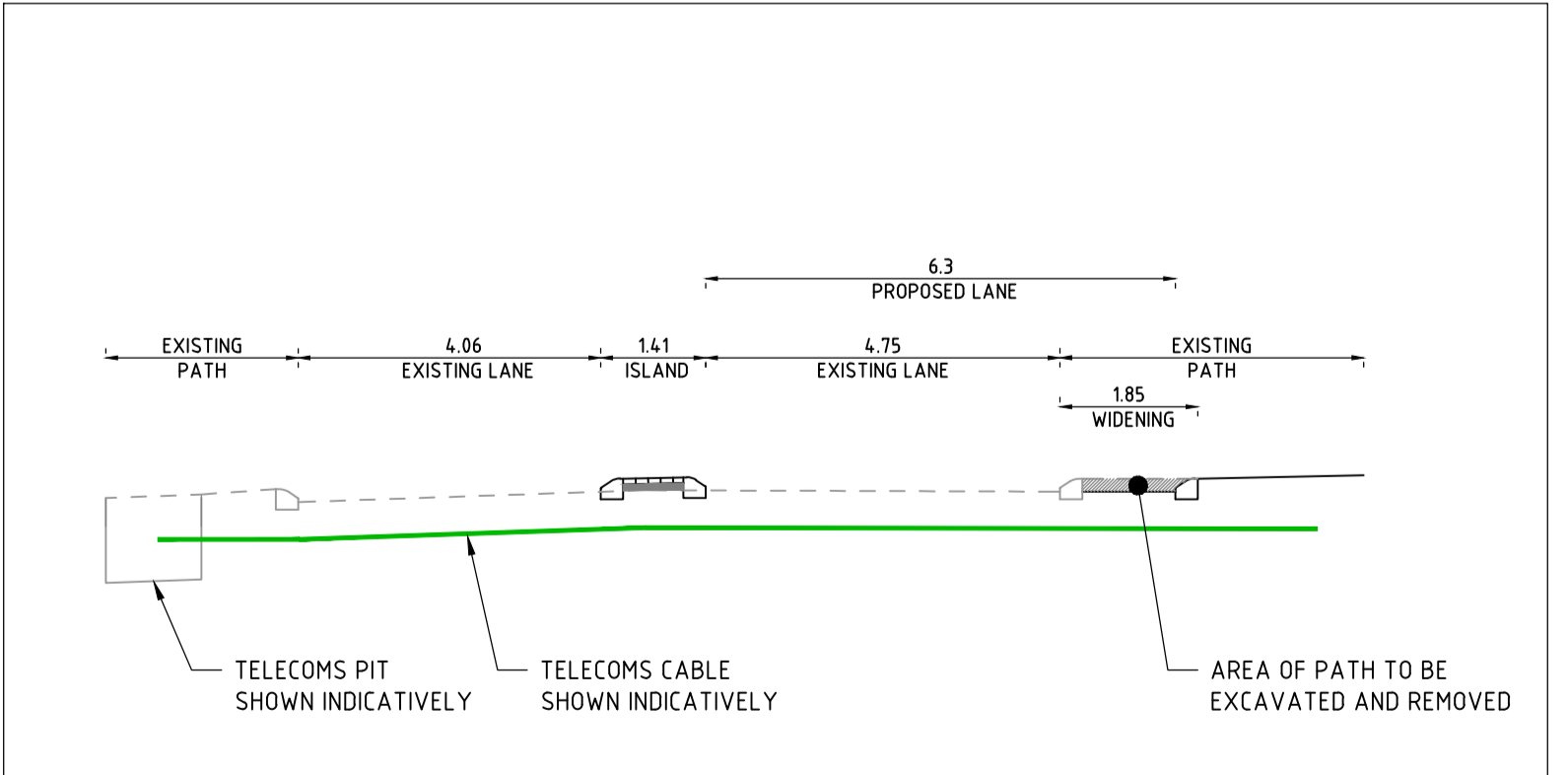
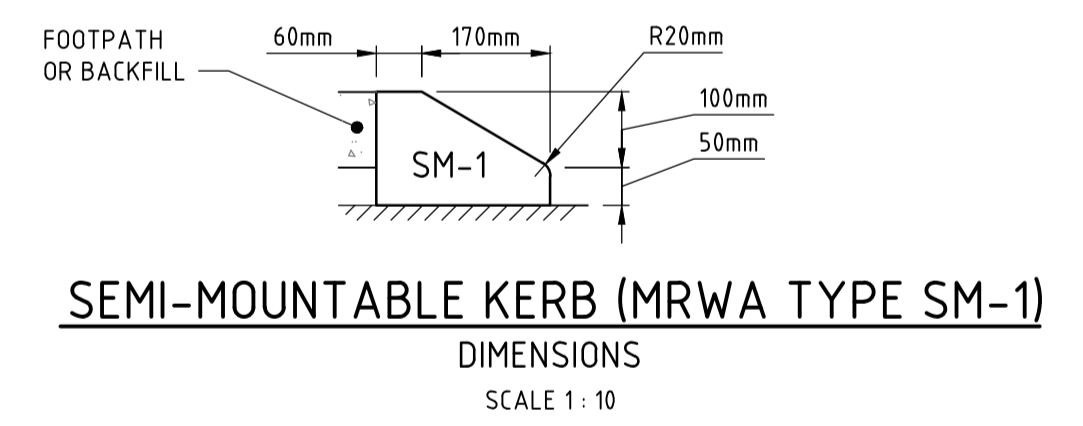
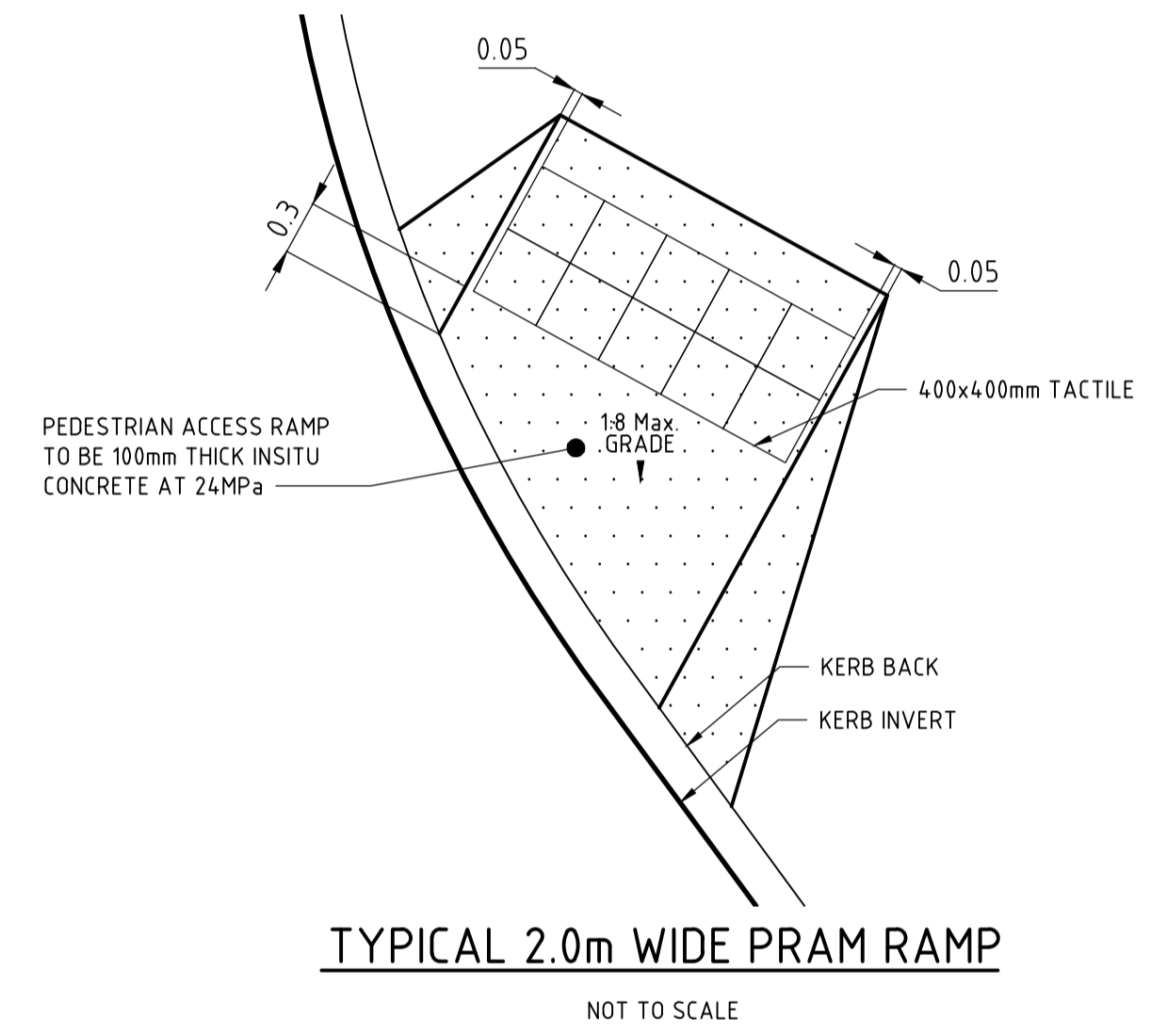
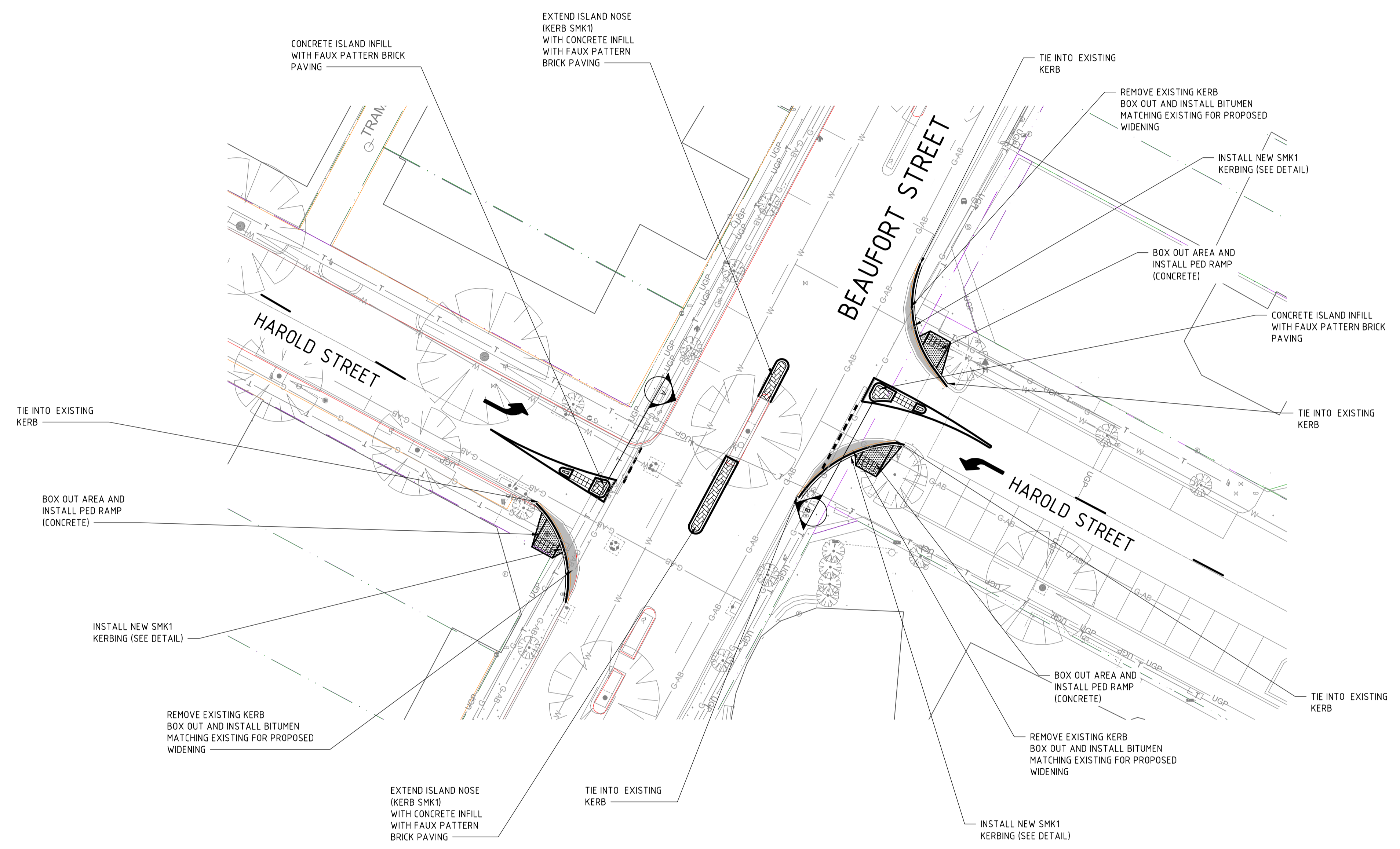


LEGEND	
	ROAD CENTRE LINE
	SEWER
	WATER
	GAS
	UNDERGROUND POWER
	TELECOM
	HYDRANT
	ASPHALT SURFACE
	BRICK PAVED SURFACE
	CONCRETE SURFACE
	GRASSED SURFACE
	TELSTRA PIT
	TREE
	POWER POLE
	UGP OUTREACH LIGHT
	LIGHT POLE
	SIGN
	BOLLARD
	INSTALL SEMI-MOUNTABLE KERB SMS
	FAUX PAVING 45° HERRINGBONE WITH HEADER COURSE



FOR SIGN AND PAVEMENT MARKING
REFER TO DRAWING No: 3610-LM

- CONSTRUCTION NOTES:**
- REFER TO CONTRACT SPECIFICATIONS AND STANDARD DRAWINGS FOR CONSTRUCTION REQUIREMENTS.
 - WHEN UNDERTAKING RESURFACING WORKS ATTENTION TO BE GIVEN TO SITE CONSTRAINTS TO ENSURE FINISH LEVELS ARE WITHIN TOLERANCE E.G. CROSSOVERS, KERB RAMPS, UTILITY PITS.
 - ENSURE TRAFFIC MANAGEMENT DURING CONSTRUCTION CONFORMS TO CURRENT ACTS, REGULATIONS AND AUSTRALIAN STANDARDS RELATING TO WORKSITE TRAFFIC MANAGEMENT. KEEP SITE SAFE AND ACCESSIBLE FOR WORKERS, PEDESTRIANS, CYCLISTS AND ROAD USERS AT ALL TIMES. PROVIDE ALTERNATE ROUTES TO MEET SAFETY REQUIREMENTS.
 - SERVICES ARE SHOWN IN THEIR APPROXIMATE LOCATION. DOMESTIC SERVICES ARE NOT SHOWN. LOCATE ALL SERVICES BY HAND DIGGING BEFORE EXCAVATION. PROVIDE ADEQUATE SUPPORT & PROTECTION FOR EXPOSED SERVICES.
 - ADVISE MRWA TO INSTALL REGULATORY ROAD SIGNS AND LINE MARKING.
 - RESTORE VERGES, RETICULATION, CROSSOVERS.
 - TIE INS TO BE PROFILED OUT AT ALL EXTENT OF WORKS TO PROVIDE A SMOOTH & SEAMLESS TRANSITION TO EXISTING ASPHALT - AREA TO BE DETERMINED BY THE SUPERINTENDENT.
 - AREAS IDENTIFIED AS SIGNIFICANTLY CRACKED ASPHALT SHALL BE MILLED TO BASE AND FILLED WITH THICKLIFT PRIOR TO RESURFACING.
 - ENSURE NO ISOLATED LOW POINTS ARE LEFT IN PAVEMENT, CROSSOVER OR VERGE THAT WILL ATTRACT POOLING OF STORMWATER.
 - WORK VARIATIONS AT THE DISCRETION OF THE SUPERINTENDENT.
 - ADJUST ALL EXISTING PIT LEVELS TO SUIT NEW PAVEMENT LEVELS IF REQUIRED.

CITY OF VINCENT
244 VINCENT STREET LEEDERVILLE, 6007
TECHNICAL SERVICES

AMENDMENTS				
REVISION	DESCRIPTION	AUTHORISED	DATE	BY
0	AJ 05.02.23 HE Issued for Construction	AJ 02.02.23		
No.	DRN	DATE	CHKD	BY

THIS DRAWING REMAINS THE PROPERTY OF THE CITY OF VINCENT AND MUST NOT BE RETAINED, COPIED OR USED WITHOUT THE AUTHORITY OF THE MANAGER, TECHNICAL SERVICES

BUDGET: 1,202,174.6006
DESIGNED: AJ 02/02/23
SURVEYOR: JBA 08/11/20
CHECKED: HE 06/02/23
DRAWN: AJ 02/02/23
APPROVED: *Hannah Ellwood*

STATE BLACKSPOT 2020/21
BEAUFORT ST AND HAROLD ST, HIGHGATE
INTERSECTION UPGRADE

A1 SHEET 1 OF 1 REVISION 0
DRAWING NUMBER
3610-DP